



CITY OF MADISON
 DEPT OF PUBLIC WORKS
 ENGINEERING DIVISION
 CITY COUNTY BLDG RM 115
 210 MARTIN LUTHER KING JR BLVD
 MADISON, WI 53703
 PHONE: 608-266-4131

MONONA TERRACE AIRWALL REPLACEMENT
 1 JOHN NOLEN DRIVE
 MADISON, WI

AIRWALL
 REPLACEMENT
 FLOOR PLAN

CONTRACT
 # 8244

MUNIS
 # 80007

DRWN BY: LAW
 DATE 08/09/18

REV:

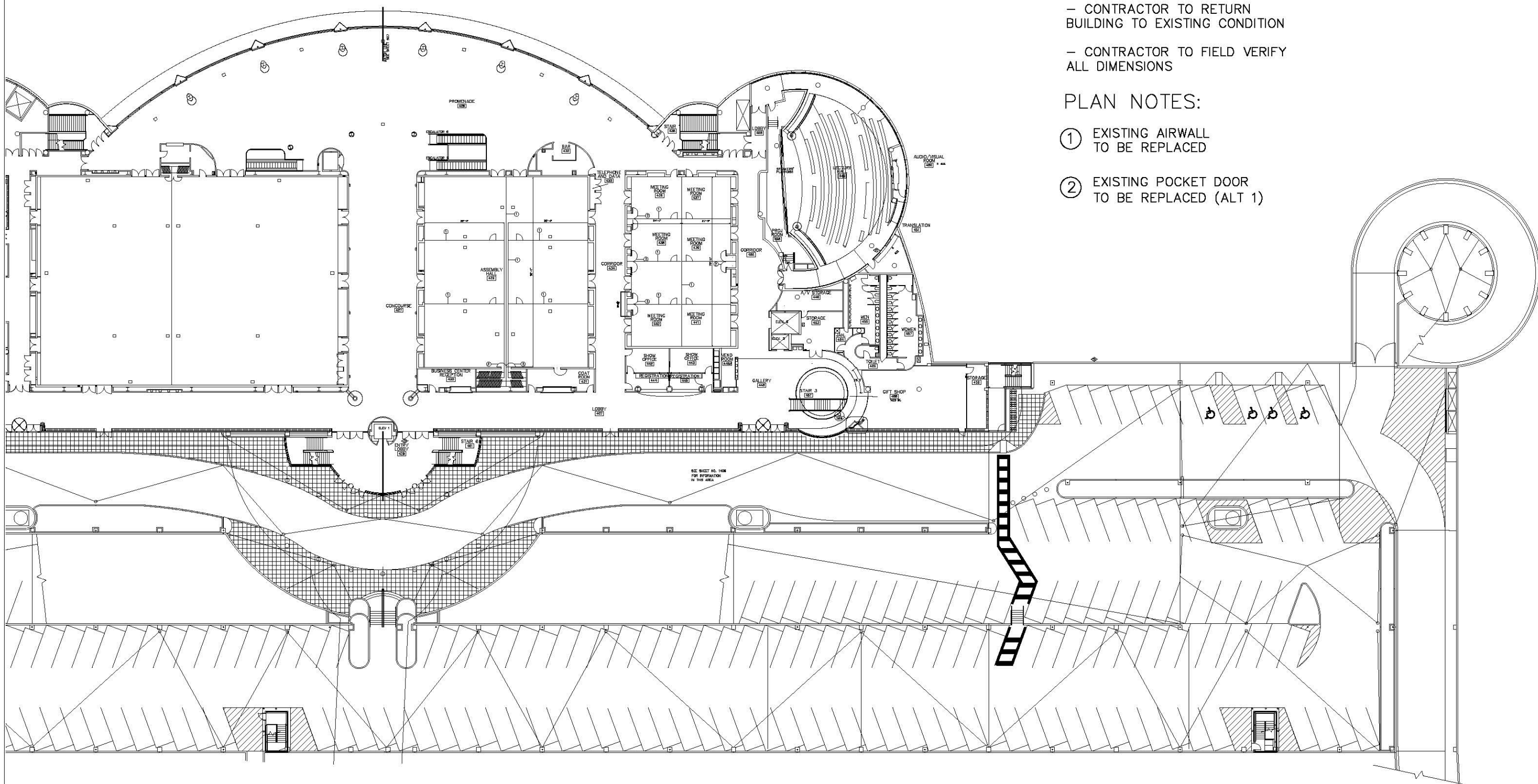
SHT
 001

GENERAL NOTES:

- THESE DRAWINGS FURTHER SUPPORTED BY SPECIFICATIONS
- CONTRACTOR TO RETURN BUILDING TO EXISTING CONDITION
- CONTRACTOR TO FIELD VERIFY ALL DIMENSIONS

PLAN NOTES:

- ① EXISTING AIRWALL TO BE REPLACED
- ② EXISTING POCKET DOOR TO BE REPLACED (ALT 1)





CITY OF MADISON
DEPT OF PUBLIC WORKS
ENGINEERING DIVISION
CITY COUNTY BLDG RM 115
210 MARTIN LUTHER KING JR BLVD
MADISON, WI 53703
PHONE: 608.266.4151

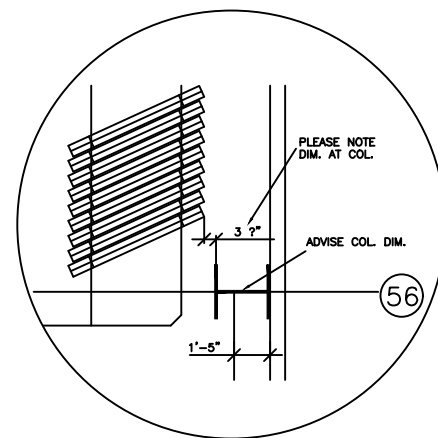
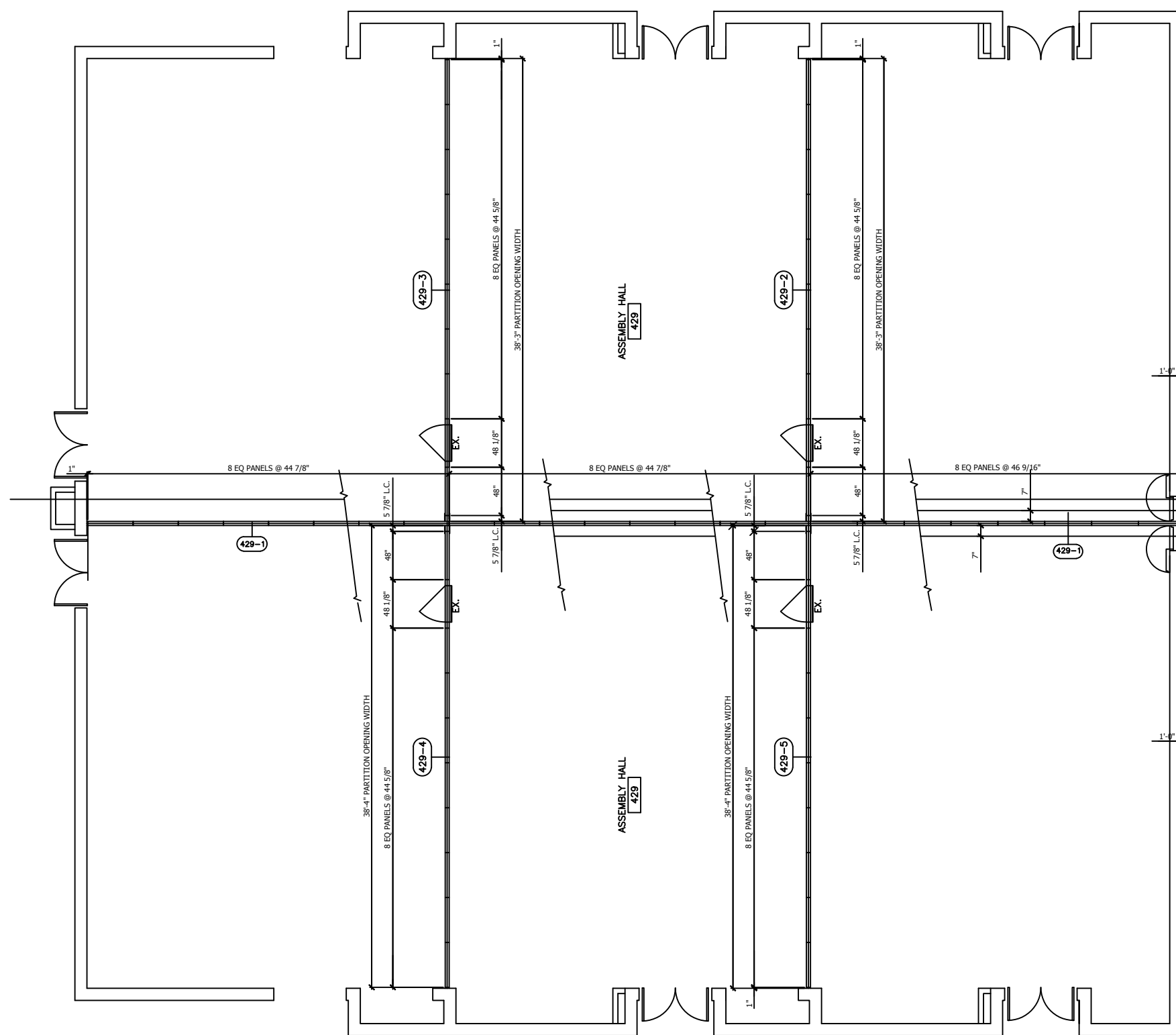
MONONA TERRACE AIRWALL REPLACEMENT
1 JOHN NOLEN DRIVE, 53703
MADISON, WI

CONTRACT
8244
MUNIS
80007

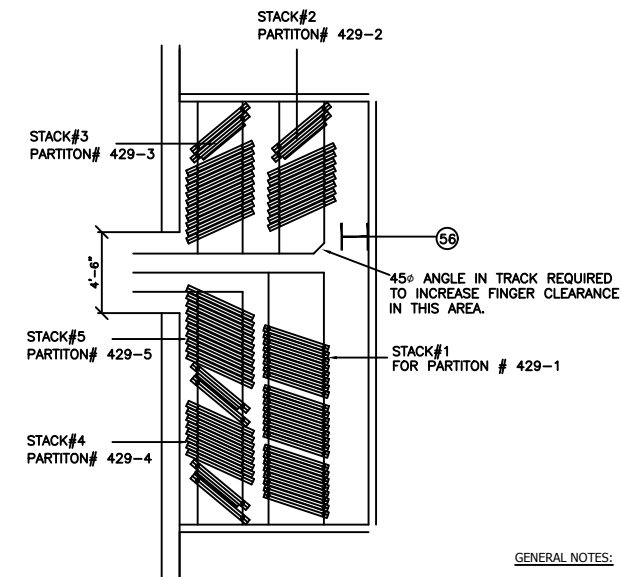
DATE 08/09/2018
REV:

SHT

002

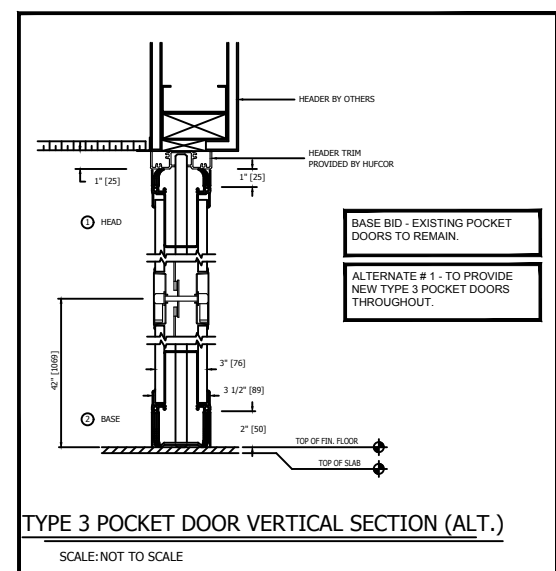
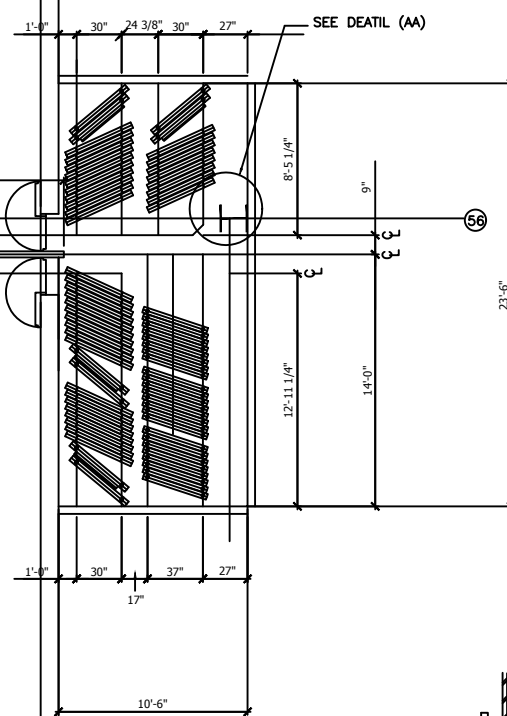


DETAIL AA
SCALE: NOT TO SCALE

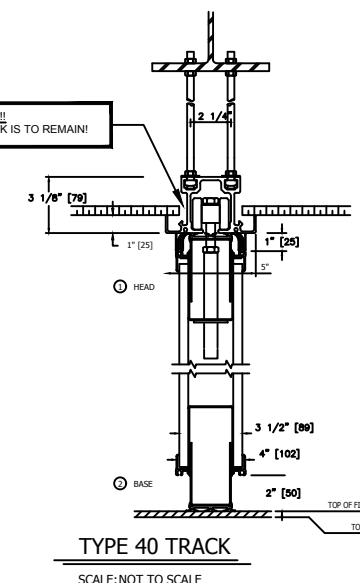


STACK LAYOUT
SCALE: NOT TO SCALE

- GENERAL NOTES:**
- CONTRACTOR TO FIELD VERIFY ALL DIMENSIONS.
 - EXISTING TYPE 40 TRACK TO REMAIN.
 - THESE DRAWINGS FURTHER SUPPORTED BY SPECIFICATIONS
 - CONTRACTOR TO RETURN BUILDING TO EXISTING CONDITION FOLLOWING WORK.



PLEASE NOTE!!
TYPE 40 TRACK IS TO REMAIN!



TYPE 40 TRACK
SCALE: NOT TO SCALE

ASSEMBLY HALL/HALL OF IDEAS AIRWALL SCHEDULE					
WALL TAG	429-1	429-2	429-3	429-4	429-5
SECTION 1 PANELS	8 EQ PANELS @ 44 7/8"	1 PANEL @ 48"	1 PANEL @ 48"	1 PANEL @ 48"	1 PANEL @ 48"
SECTION 2 PANELS	8 EQ PANELS @ 44 7/8"	1 PANEL W/ PASSDOOR @ 48 1/8"	1 PANEL W/ PASSDOOR @ 48 1/8"	1 PANEL W/ PASSDOOR @ 48 1/8"	1 PANEL W/ PASSDOOR @ 48 1/8"
SECTION 3 PANELS	8 EQ PANELS @ 46 9/16"	8 EQ PANELS @ 44 7/8"	8 EQ PANELS @ 44 7/8"	8 EQ PANELS @ 44 7/8"	8 EQ PANELS @ 44 7/8"

**Panel Height:
16'-0"**

PARTIAL FLOOR PLAN
SCALE: 3/16" = 1'-0"

EX. = EXIT SIGN



**ASSEMBLY HALL/ HALL OF IDEAS
MONONA TERRACE
MADISON, WI**



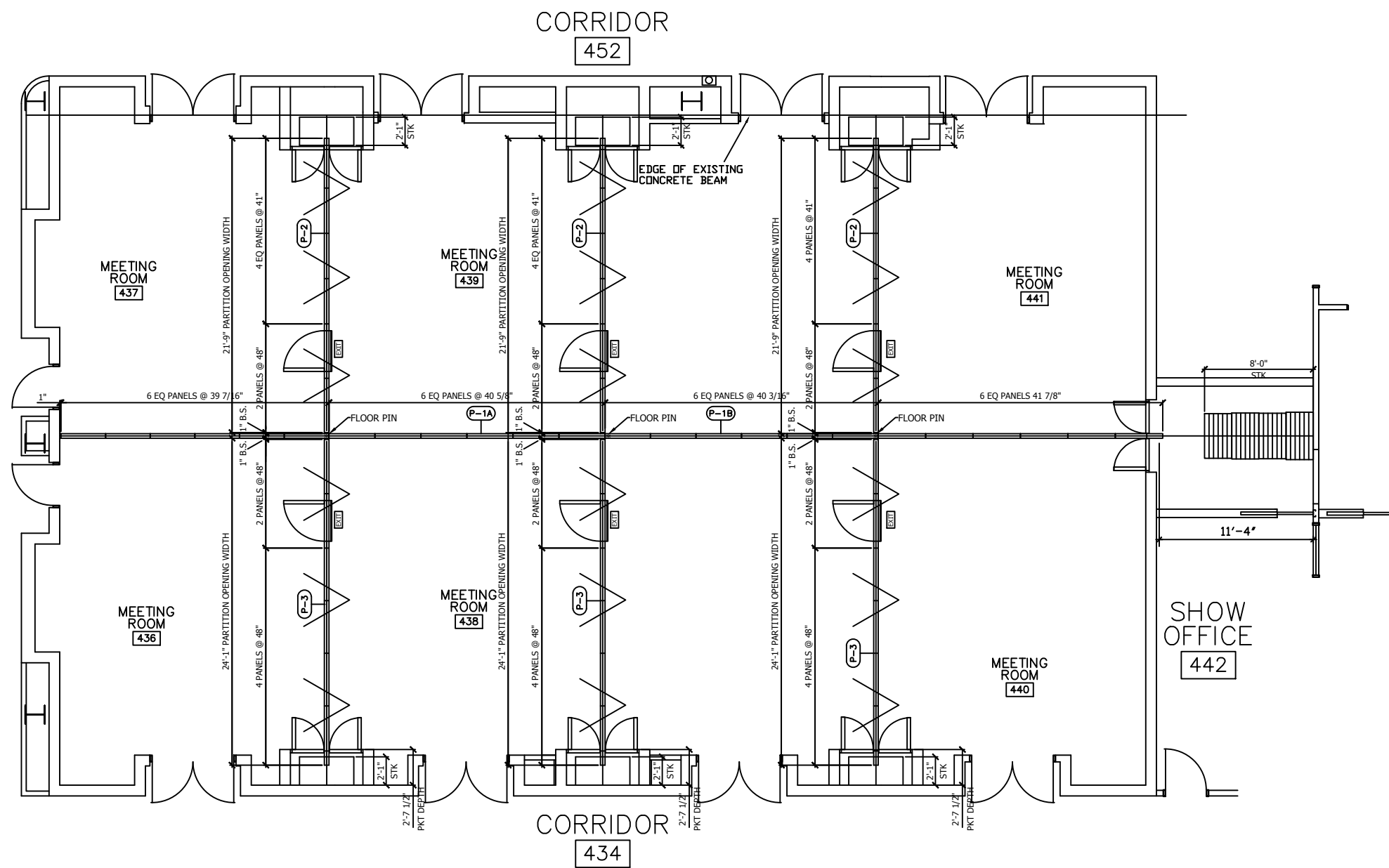
CITY OF MADISON
DEPT OF PUBLIC WORKS
ENGINEERING DIVISION
CITY COUNTY BLDG RM 115
210 MARTIN LUTHER KING JR BLVD
MADISON, WI 53703
PHONE 608-265-4151

MONONA TERRACE AIRWALL REPLACEMENT
1 JOHN NOLEN DRIVE, 53703
MADISON, WI

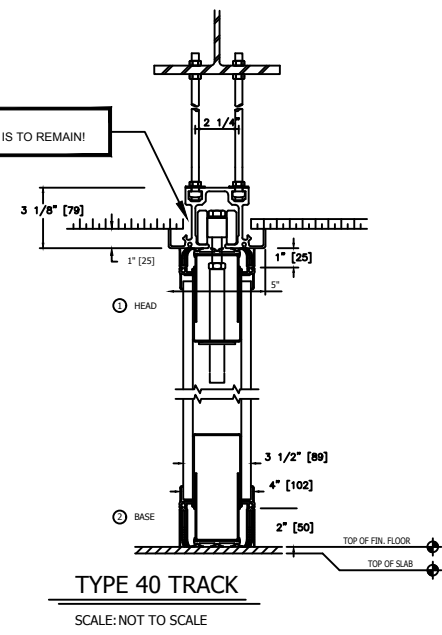
CONTRACT
8244
MUNIS
80007

DATE 08/09/2018
REV:

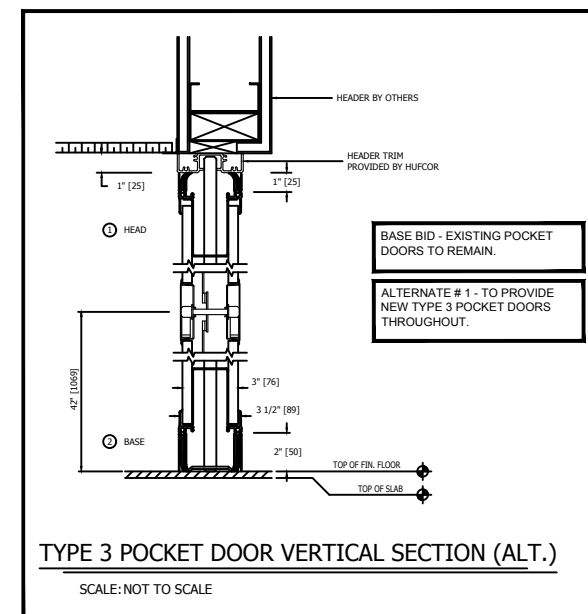
SHT
003



PLEASE NOTE!
TYPE 40 TRACK IS TO REMAIN!



- GENERAL NOTES:**
- CONTRACTOR TO FIELD VERIFY ALL DIMENSIONS.
 - EXISTING TYPE 40 TRACK TO REMAIN.
 - THESE DRAWINGS FURTHER SUPPORTED BY SPECIFICATIONS
 - CONTRACTOR TO RETURN BUILDING TO EXISTING CONDITION FOLLOWING WORK.



MEETING ROOMS AIRWALL SCHEDULE				
WALL TAG	P-1A	P-1B	P-2	P-3
SECTION 1 PANELS	6 EQ PANELS @ 39 7/8"	6 EQ PANELS @ 40 3/8"	2 EQ PANELS @ 48" PASSIDOR IN 1 PANEL	2 EQ PANELS @ 48" PASSIDOR IN 1 PANEL
SECTION 2 PANELS	6 EQ PANELS @ 40 3/8"	6 EQ PANELS @ 41 7/8"	4 EQ PANELS @ 41"	4 EQ PANELS @ 48"

**Panel Height:
12'-0"**

**MEETING ROOMS
MONONA TERRACE
MADISON, WI**

DRAWN: 07/18/18 BY: BD SHEET: 1 OF: 1 LAYOUT